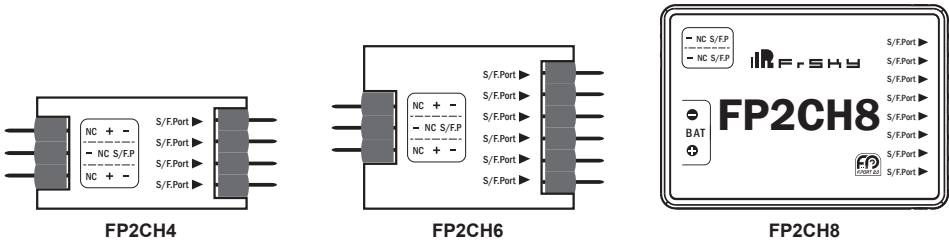


Introduction

The F.Port 2.0 multichannel extender is a tool that is specifically designed for receivers a single F.PORT 2.0 signal output. With the extender connected, the Xact servos with installed F.Port 2.0 firmware can now be controlled and configured by any F.Port 2.0 capable receivers (For example RS, M+, etc.).

Overview



Specifications

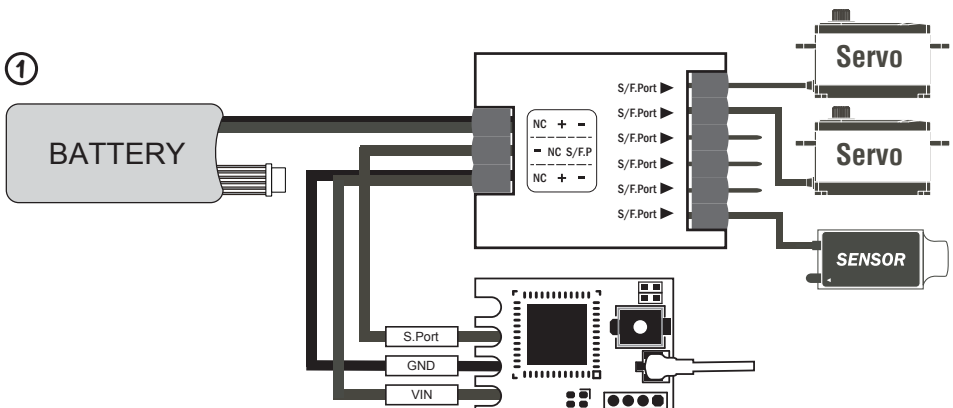
- FP2CH4:
 - Dimension: 36*13*10mm (L*W*H)
 - Weight: 3.5g
- FP2CH6:
 - Dimension: 36*18*10mm (L*W*H)
 - Weight: 4.3g
- FP2CH8:
 - Dimension: 38*27*13mm (L*W*H)
 - Weight: 10g
 - Battery Connector: XT30PW-M

Features

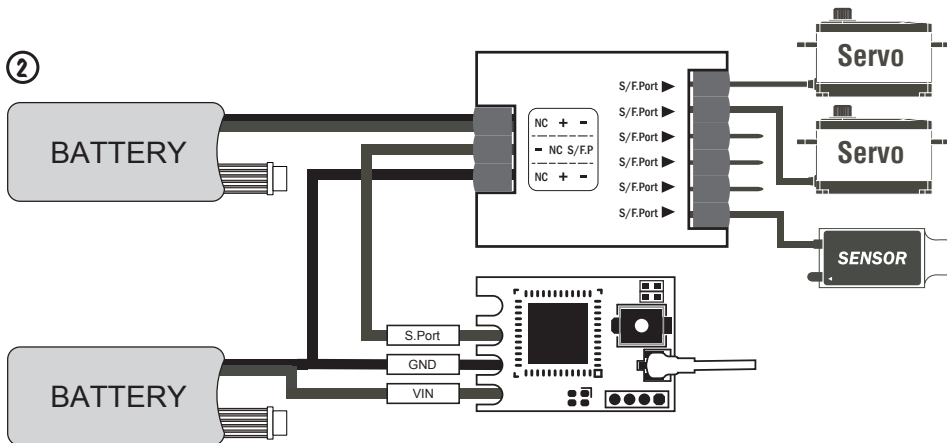
- F.Port 2.0 Channel Extender
- S.Port Channel Extender
- Perfect combo with an F.Port 2.0 micro receiver for saving setup space

Layout

NC:NO CONNECT



②



Warning: Please select the external battery or BEC according to the capable maximum voltage of the servo/sensor/receiver.

Warning: Plugging dual batteries simultaneously is forbidden for FP2CH4/6/8.

FrSky is continuously adding features and improvements to our products. To get the most from your product, please check the download section of the FrSky website www.frsky-rc.com for the latest update firmware and manuals