

## Disclaimer

Thank you for purchasing FrSky Vantac AR+ Wing model. For more information, please visit [www.frsky-rc.com](http://www.frsky-rc.com) which is updated regularly. Product information, technical updates and manual corrections will be available on this web page. FrSky reserves the rights to update the disclaimer and upgrade product information on the web. Please read the disclaimer carefully and follow the manual strictly before use.

The manufacturer and seller assume no liability for any resulting damage or injury arising from the incorrect operating or use of this product. This product is not suitable for people under the age of 18. Adult supervision is highly recommended for kids under the age of 18.

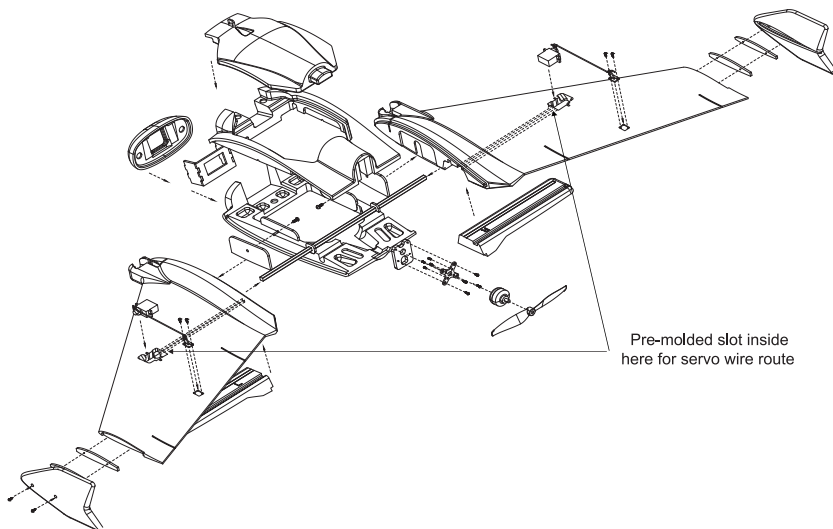
## Warnings and Safety Notes

- Do not attempt to fly the model if it is damaged. Flying with damaged model is not safe and may make the model fly uncontrollably.
- Always make sure the model is installed correctly and mounting screws are securely tightened.
- Do not use this product in harsh environments (such as storm, rain, lightning, snow, etc.)
- Do not use this product in a strong electromagnetic environment.
- Do not put the battery into water or fire.
- Do not overcharge or discharge the battery.

## Introduction

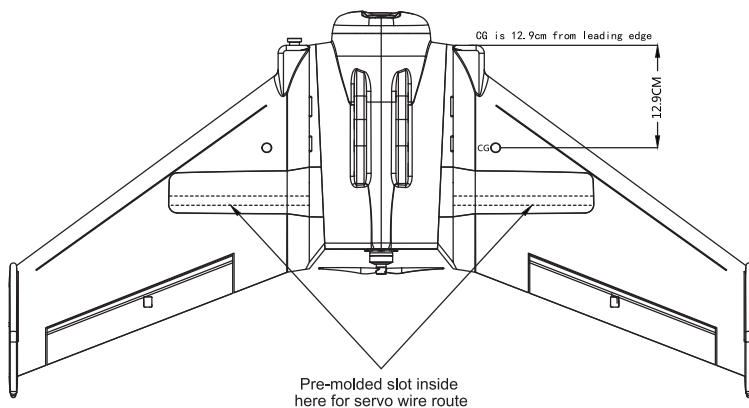
VANTAC AR+ Wing has white EPO molded wing and fuselage, plus a built-in carbon fiber spar which makes the structure durable, rigid and lightweight. Detachable wings and wingtips make it portable and easy to take anywhere for FPV flying. Multiple bonus camera mounts, compatible with all FPV HD cameras in the market. It is easy to hand launch, super stable and fast. Flying speeds range from 20km/h – 180km/h. Wingspan is 900mm with a high-efficiency airfoil, which creates high elevating authority. Spacious equipment bay for all your FPV gear. Removable battery slot for better “CG” adjustment. “CG” bump mark under the main wing for easy balancing. AR+ Wing also has 2 skids for hand launching and landing. “NACA” Air inlet and outlet for cooling FPV gear.

## Overview



Pre-molded slot inside here for servo wire route

Explode View



Layout

## Specifications

- Wingspan: 900mm (35.43")
- Length: 482mm (18.97")
- Net Weight: 376.5g
- Flying Speed: 20km/h – 180+km/h
- Specially tuned by FrSky, upgraded motor and super duty ESC.
- Pre-installed S6R 6-Channel Receiver with 3-Axis Gyro, stability augmentation and Smart Port Telemetry.
- Carbon fiber hatch handle
- Bright LED lights

## Features

- White EPO molded wing and fuselage, plus a built-in carbon fiber spar which makes the structure durable, flexible and light.
- Detachable wings and wingtips, portable and easy to take anywhere
- Multiple bonus camera mounts, compatible with all FPV HD cameras in the market.
- Easy to hand launch, super stable and fast
- High efficiency airfoil, creating high elevating authority
- Spacious equipment bay for all FPV gears
- Removable battery slot for better CG adjustment
- CG bump mark under the main wing for easy balancing.
- Two skids for hand launching and landing
- NACA Air inlet and outlet for cooling FPV gear

## Package Included

- 1\*Vantac AR+ Wing 900mm Wingspan EPO FPV Flying wing KIT
- 1\*FrSky S6R receiver
- 1\*FrSky 80A ESC including 5V&12V SBEC
- 1\*Vantac Solo 2208 3000KV Motor
- 2\*Gemfan 5152 tri-blade Props
- 1\*LED stripe

**Note: For more information about the items above, please refer to the related instruction manuals.**

## Required Parts for AR Wing (Not Included)

Battery: 3~4s 1300-2200mAh 25C-100C Lipo

Compatible Cameras: Gopro H3/H4/Session, Foxeer HS1177, Runcam 2/3 HD, Runcam swift 2/3, Runcam Eagle.

FrSky is continuously adding features and improvements to our products. To get the most from your product, please check the download section of the FrSky website [www.frsky-rc.com](http://www.frsky-rc.com) for the latest update firmware and manuals.