

#### About F.Port 2.0:

Working with the F.Port 2.0 protocol, the telemetry data (like real-time current and voltage) of Xact servos can be achieved and transmitted back to the radio by connecting either F.Port 2.0 capable receiver or flight controller. All the preset servo options of speed and torque can be configured directly on an ACCESS radio through the host device of F.Port 2.0 line, and the configurable servo steering as well as travel degree are additions now can be expected on this series.

More information:



#### Features

- Digital High Resolution Magnetic Sensor \*
- Full Metal Gears
- All Aluminum Housing by CNC
- Programmable by F.Port 2.0/Telemetry by F.Port 2.0
- Firmware Update
- 4.8~8.4V Supported
- Operating travel: 360°



86-510-8518 7718

frsky@frsky-rc.com

www.frsky-rc.com

F-4, Building C, Zhongxiu Technology Park, No.3

Yuanxi Road, Wuxi, 214125, Jiangsu, China

\* About the shell color, please refer to the actual product.

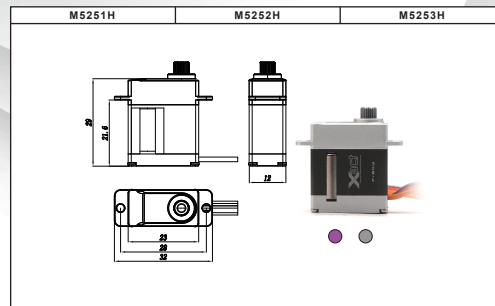
FR SKY

# Xact

Series Servo

Dynamic Integrated Performance

FrSky Electronic Co., Ltd.



#### Specifications

	Torque (kgf.cm) ±15%	Speed (S/60°) ±12%	Voltage (V)
M5251H	3.7	0.03	8.4
	3.3	0.04	7.4
	2.6	0.05	6.0
M5252H	5.3	0.04	8.4
	4.7	0.05	7.4
	3.8	0.06	6.0
M5253H	10.2	0.07	8.4
	9	0.08	7.4
	7.3	0.1	6.0

- Dimensions: 23\*12\*29mm (L\*W\*H)
- Weight: 23g
- Motor Type: Coreless
- Servo Horn Spline: Φ5 25T
- Stall Current: 1.7A@6.0V / 1.9A@7.4V / 2A@8.4V
- Operating Voltage Range: 4.8~8.4V
- Refresh Rate: 1520us/333Hz | 760us/700Hz