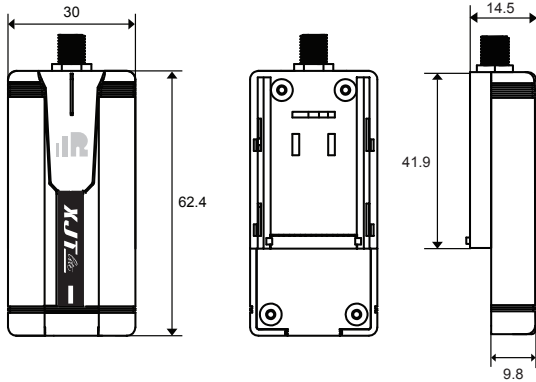


Introduction

FrSky XJT Lite module is a 2.4GHz frequency system which is especially designed for FrSky Taranis series transmitter like X Lite S/Pro and X9 Lite. In addition, it gets low latency and high precision thanks to the upgraded digital interface and high-speed data transmission. This being the "Lite" version works perfectly with all FrSky receivers in the ACCST D16(Non-LBT), D8, LR12.

Overview



Green LED	RED LED	Status
Flashing	ON	Normal
Flashing	OFF	Range Check
ON	Flashing	Binding

Mode of XJT Lite	Compatible Receiver
D8	V8-II series receivers (V8FR-II,V8R7-II,V84R-II,VD5M,etc.) D series receiver (D8R-II plus,D8R-XP,D6FR,D4R-II,etc.)
D16 (Non-LBT)	X series non-LBT receiver(X8R,X4R,etc.)
LR12	L series receiver (L9R,etc.)

Specifications

- Dimension: 62.4mm × 30mm×14.5mm (L×W×H)
- Weight: 20g
- Channel: 16CH
- Operating Voltage Range: DC 6.5V~8.4V
- Operating Current: 100mA@7.2V Typ
- Upgrade Interface: Smart Port

Features

- High-speed digital module interface
- Telemetry data transmission supported

Binding Procedure

Binding is the process of uniquely associating a particular receiver to a transmitter module. A transmitter module can be bound to multiple receivers (not to be used simultaneously). A receiver can only be bound to one transmitter module. Follow the steps below to finish the binding procedure.

1. For Taranis X-Lite Pro as an example, turn on the transmitter, go to the MENU-MODEL SETUP-PAGE 2, choose External RF-Mode XJT Lite D16 or D8/LR12. then select [Bnd].
2. Connect the battery to the receiver while holding the F/S button on the receiver. The RED LED on the receiver will flash, indicating the binding process is completed (please refer to the corresponding receiver's instruction manual for details).
3. Turn off both the transmitter the receiver.
4. Turn on the transmitter and connect the battery to the receiver. The GREEN LED on the receiver indicates the receiver is receiving commands from the transmitter. The receiver/transmitter module binding will not have to be repeated, unless on of the two is replaced.

Note: After binding procedure is completed, recycle the power and check if the receiver is really under control by linked transmitter.

Note: XJT Lite complys with FCC certification requirements, only FCC (Non-LBT) version, please comply with local laws and regulations when using.

Range Check

A pre-flight range check should be done before each flying session. Reflections from nearby metal fences, concrete buildings or trees can cause loss of signal during range check and flight. Under Range Check mode, RF power will decrease and Range distance will reduce to 1/30-1/10 that of Normal model.

1. Place the model at least 60cm (two feet) above non-metal contaminated ground (e.g. on a wooden bench). The receiver antenna should be in vertical position.
2. Turn on the transmitter and the receiver, go to MODEL SETUP—External RF—Mode XJT Lite—Range.

FrSky is continuously adding features and improvements to our products. To get the most from your product, please check the download section of the FrSky website www.frsky-rc.com for the latest update firmware and manuals.